



ICP69185-C-L

V1.0

INDUSTRIAL OPERATION PANEL

Intel® Celeron™ 4205U/Core i5 7200U

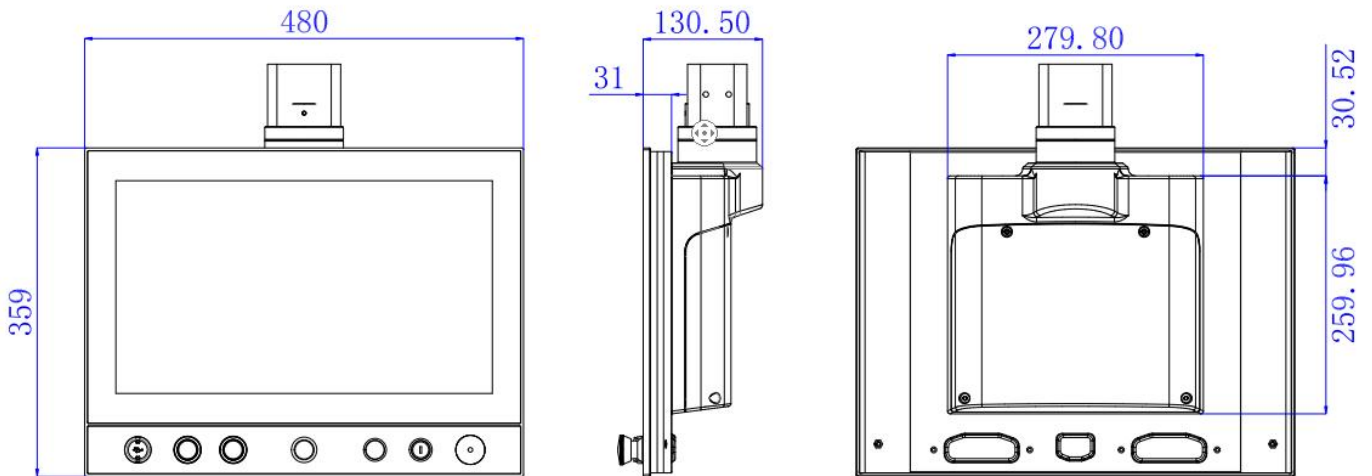
Highly integrated cantilever industrial system operation panel



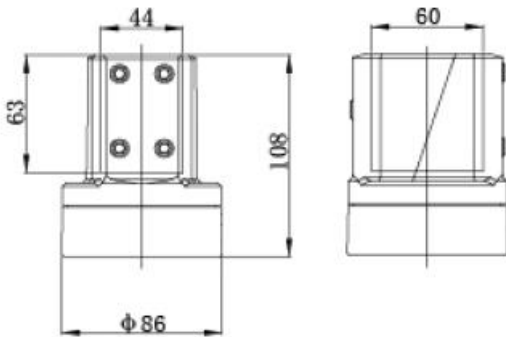
Specifications:

| | | |
|----------------------|---------------------------|---|
| Processor | CPU | Support Intel® Celeron™ 4205U/Core i5 7200U |
| | Main Frequency | Dual Core 1.8GHz/2.5Hz |
| | Memory | Support DDR4 2400MHz / DDR3L 1600 MHz, 1 * SO-DIMM Slot, Up to 16GB |
| | Storage interface | 1 x 2.5" SATA HDD + 1 x mSATA |
| I/O | Ethernet | 2 x Intel 1000Mbps RJ-45 Ethernet interface |
| | USB | 4 x USB3.0/2.0/1.1 |
| | Serial port | 2 x RS-232 / RS-485 with surge protection, RS485 support automatic flow control |
| | Expansion slot | 1 x Mini-PCIe slot, extensible 3G, WIFI wireless card |
| Physical | Weight | 8.24KG |
| | Pensile Direction | Optional Up or Down |
| | Operation Button | Optional Item, Nodka Standard: USB、Rotatable switch、Push button (Green , Red), Key switch、Emergency stop switch) |
| | Dimension (W x H x D) | 480mm * 359mm * 130.5mm |
| OS | OS | Windows 7, Windows8, Windows10, Linux |
| Power | DC input | DC 12-24V support reverse polarity protection, overvoltage protection, overcurrent protection |
| | Maximum Power Dissipation | Depend on the processor |
| LCD | LCD Type | 18.5" HD TFT |
| | Resolution | 1366 x 768 |
| | Colors | 16.7MB |
| | Active Area (W x H) | 409.8mm x 230.4mm |
| | Backlight | LED |
| | MTBF (hour) | 30000hrs |
| | Pixel Pitch (H x V) | 0.248 x 0.248 |
| | Luminance | 250cd/m2 |
| | Contrast Ratio | 1000:1 |
| | Viewing Angle | (L) 85 / (R) 85 / (T) 80 / (B) 80 |
| Touchscreen | Touchscreen type | Capacitive touch screen |
| | Transmittance | > 81% |
| | Response Time (touch pen) | < 5ms |
| | Surface Hardness | Mohs Hardness 7H |
| | Click Life | 250g / 100,000,000 times |
| | Multi-touch | 10 points |
| Environmental | Work Temperature | -10 ~ 60°C (14~140°F) |
| | Storage Temperature | -20 ~ 80°C (-4 ~ 176°F) |
| | Relative Humidity | 5~95% (Non-condensation) |
| | Shake | SSD applied: 1.5 Grms, IEC 60068-2-64, random, 5 ~ 500 Hz, 1 hr/axis |
| | Shock | SSD applied: 10 G, IEC 60068-2-64, Half-sine wave, 11ms duration |
| | EMC | CE/FCC Class A |
| | Water-proof | Front IP65 |

Dimension: 480mm * 359mm * 130.5mm



4460 type ARM Stand connection Dimension: (option 5575 type)



Order information:

| Product model | Specification |
|---------------|---|
| ICP69185-C-L | 18.5"LCD/1366*768/ capacitive touchscreen/DC12V~24V input |

Option ARM Tube:

| Product model | Specification |
|--------------------|---|
| 4460 type ARM Tube | Refer to the following sheet (If you prefer 5575 type please contact with sales rep) |